

VOLGA-DNEPR –

LOGISTICS SERVICES FOR YOUR BUSINESS



Volga  Dnepr

VOLGA-DNEPR

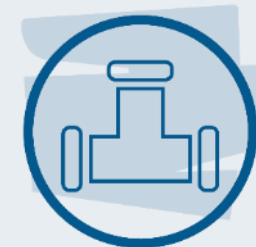
- ▶ **34 YEARS** OF EXPERIENCE AND EXPERTISE
- ▶ **ONE OF THE MAJOR** CARGO CARRIERS IN RUSSIA
- ▶ **AMONG TOP-10** GLOBAL CARGO CARRIERS TILL 2022
- ▶ **OWN FLEET OF FREIGHTERS AND** ACCESS TO CAPACITIES OF PARTNERS
- ▶ **LOGISTICS SOLUTIONS** FOR SUCH INDUSTRIES AS



Aerospace



Auto



Oil & Gas



Energy



High-tech



Machinery



E-com



Fashion



HoReCa



Humanitarian missions



Pharma



Seafood





VOLGA-DNEPR - SERVICES

We offer **complex logistics solutions**, including through active cooperation with the partners.

CHARTER CARGO OPERATIONS

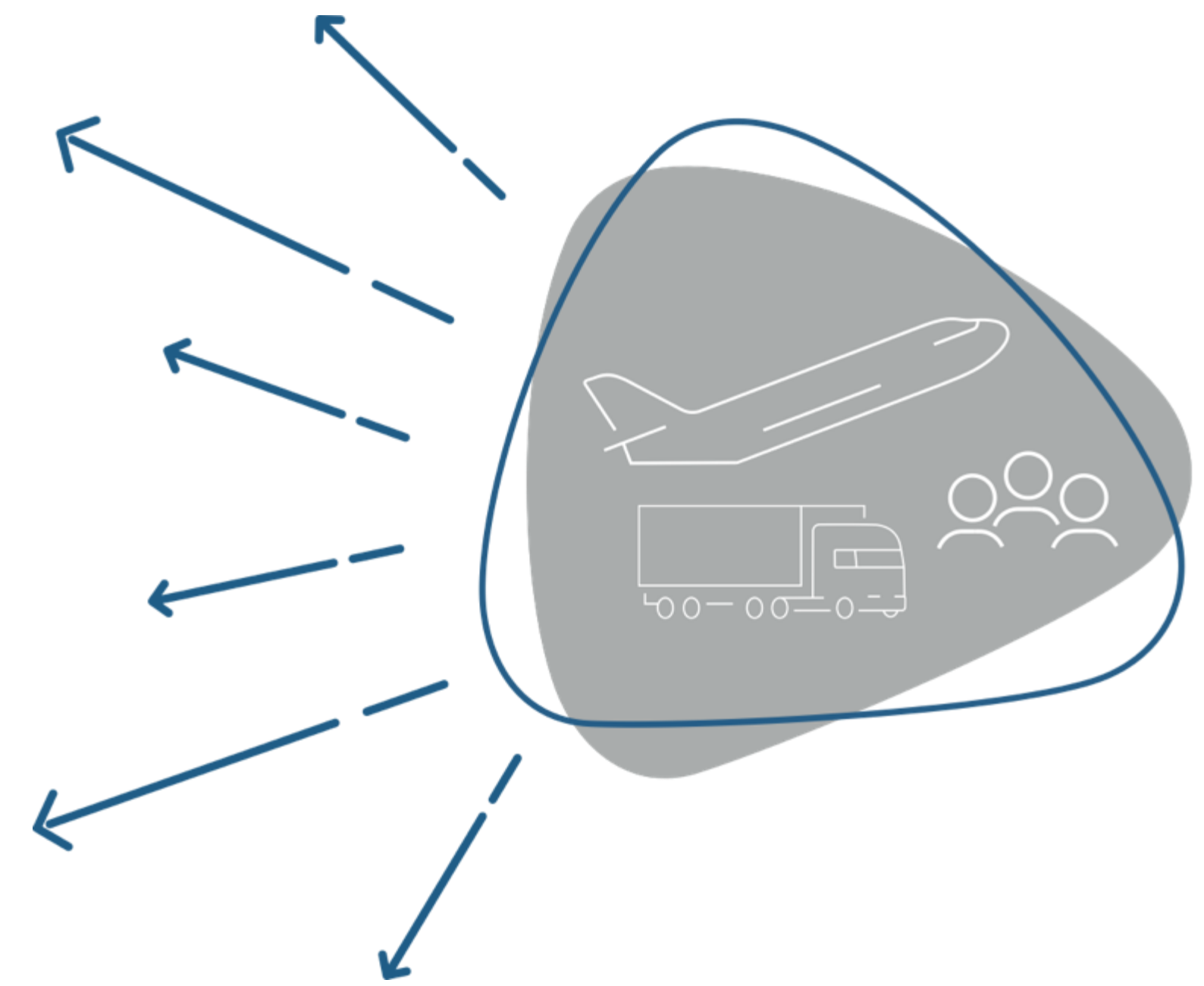
SCHEDULED CARGO OPERATIONS

MULTIMODAL OPERATIONS

INTERNATIONAL EXPRESS-DELIVERY

LOGISTICS TO HARD-TO-REACH REGIONS

SEAFOOD LOGISTICS



VOLGA-DNEPR- OUR HISTORY

1990 - 1999

- ▶ Volga-Dnepr Airlines was established in 1990 in Ulyanovsk with the unique purpose — to adjust the An-124's operations for commercial purposes for transportation of oversized and super-heavy cargoes.

The first decade was a period of vast growth for Volga-Dnepr, by the beginning of new millennium the airline operated the largest fleet of An-124 (10 planes) and controlled 60% of the market share for unique cargo transportations.

2010 - 2019

- ▶ Volga-Dnepr expanded and deepened its competences in project logistics adding more success stories such as transportation of fuselage, wing panels for the Boeing 787 Dreamliner, industrial equipment for a gas processing plant in Papua New Guinea, 18 -meter bus Irisbus Citelis and many others. Fleet modernization – deployment of Il-76TD-90VD, upgrade of An-124-100 till An-124-150, with possibility to carry 150 tonnes.

2000 - 2009

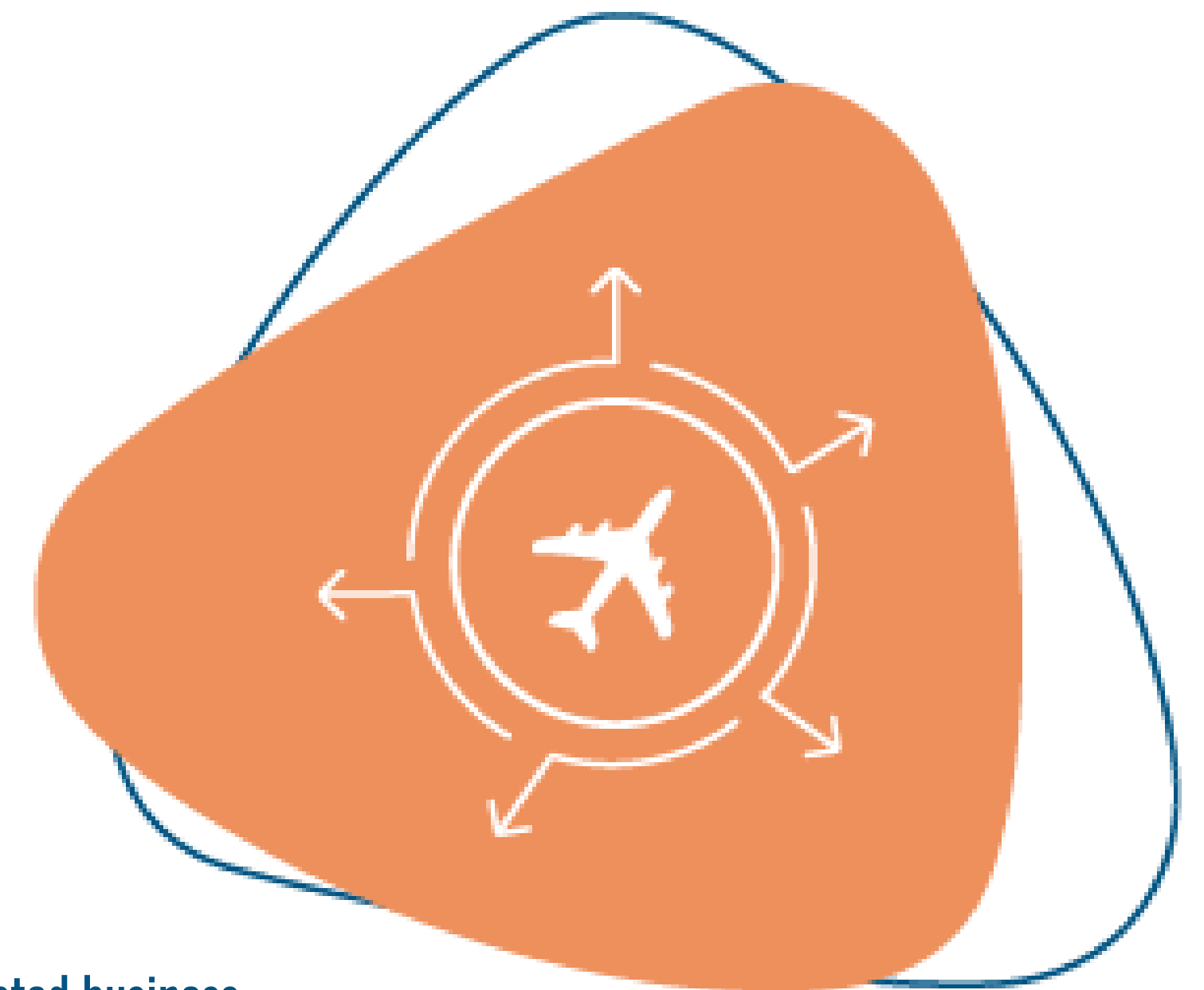
- ▶ In 2004 the company deployed its tenth An-124-100. On the 7th of July 2004 Volga-Dnepr was officially issued an IATA-member certificate (International Air Transport Association unites carriers from all over the world), this served as an acknowledgment of the Company's high-ranked international reputation.

2020 - 2024

- ▶ In 2020-2021, Volga-Dnepr saved the lives of more than 500,000,000 people around the world by delivering more than 50,000 tons of covid cargo worldwide.)

2022 - Volga-Dnepr has successfully adjusted business model of scheduled cargo operations to Il-76TD-90VD, optimized its loading procedures for palletized cargo and aligned its work with all stakeholders. The Company introduced new destinations from China, India, and UAE.

34
1990-2024



VOLGA-DNEPR- LOGISTICS SOLUTIONS



Logistics solutions for all types of cargo – DG, TEMP, AVI, XL, PER, E-COM



30+ years of experience – expertise, knowledge, qualification



Local offices in China for seamless communications



In-house MRO to guarantee continuing airworthiness management



Global coverage **through interline partners**



Industry solutions: healthcare, high-tech, e-commerce, aerospace, Oil & Gas and others



Cooperation with all the supply chain stakeholders to **guarantee safe transportation**



Customer service





34
1990-2024

Professionalism

Speed

Agility

Reliability

Responsibility

Support

VOLGA-DNEPR – CHARTER CARGO OPERATIONS



advantages

- ▶ **Experience in charter cargo operations** — flight organization, cooperation with aviation and airport authorities, obtaining of permits
- ▶ Charter flights **to major airports**, as well as remote and less developed local aerodromes
- ▶ **Own fleet of unique freighters** — possibility to organize complex charter flights with re-loading
- ▶ **Qualified specialists** with expertise in transportation of general and special cargoes, including dangerous and temperature-sensitive goods
- ▶ **Floor roller system** for transportation of general cargo aboard An-124-100/150
- ▶ Design and manufacturing of **special loading equipment**, if required



Machinery



Oil & Gas



Aerospace



Auto



Humanitarian missions

VOLGA-DNEPR – SCHEDULED CARGO OPERATIONS



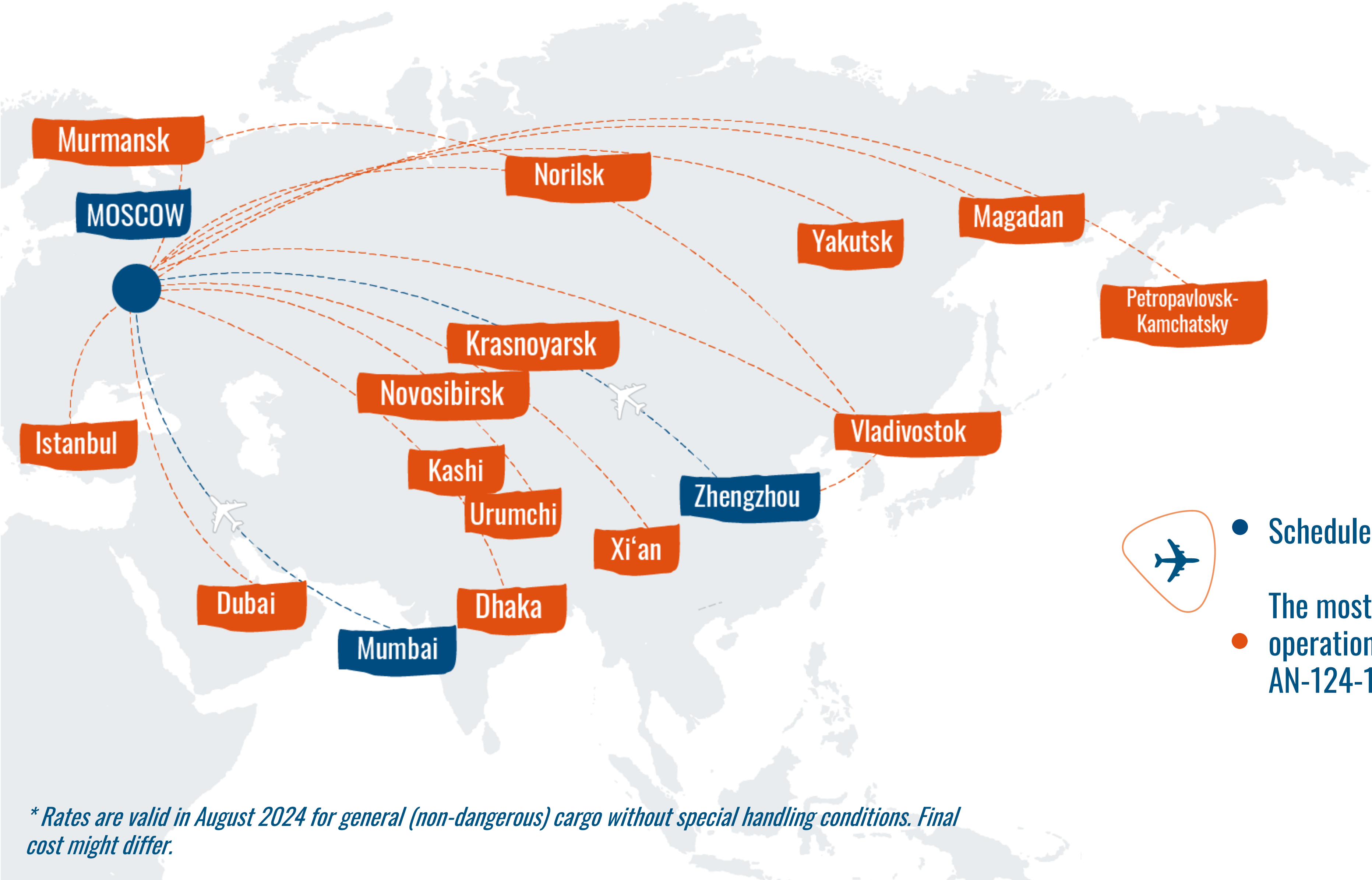
advantages

- ▶ **Scheduled flights to/from China and India**
- ▶ **Own fleet of unique freighters** and access to capacity of other carriers through interline agreements
- ▶ Floor roller system for transportation of **general cargo aboard An-124-100**
- ▶ **Up to 8 PMC per Il-76 flight** and in-house stock of PMC pallets
- ▶ **Local offices in China** (Beijing, Shanghai, Zhengzhou, Shenzhen, Hong Kong) for seamless communications with importers
- ▶ Permit for **dangerous goods transportation** (Class 1-9)
- ▶ International **D2D express-delivery** from China





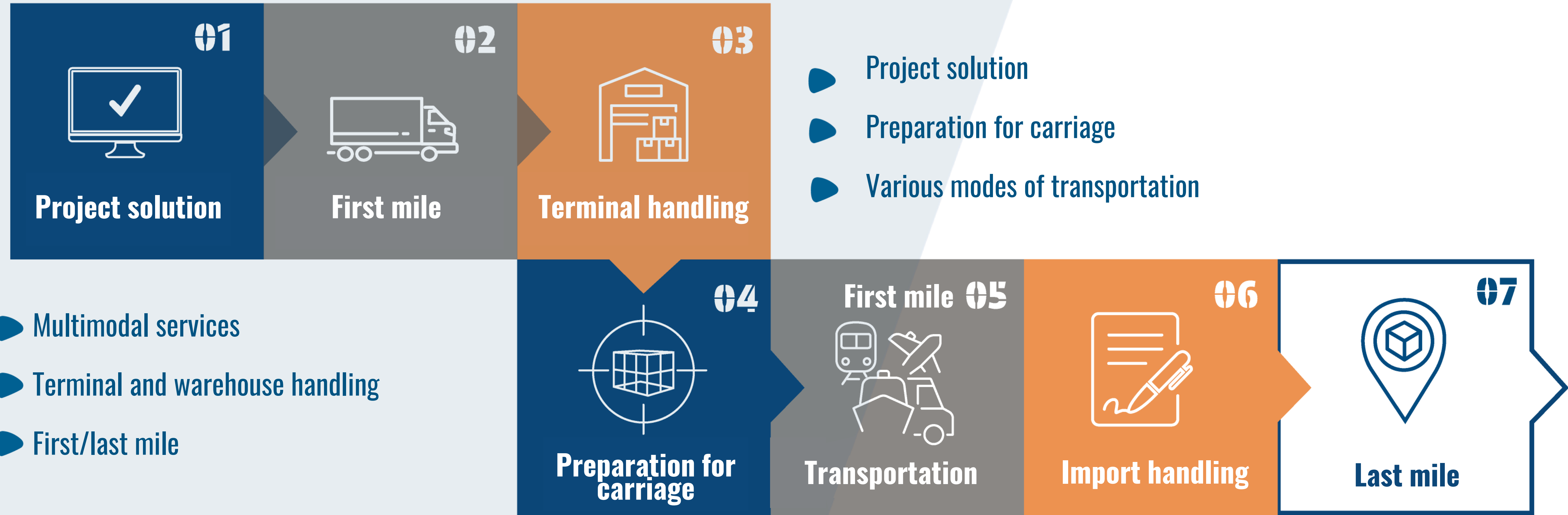
VOLGA-DNEPR – ROUTE NETWORK, 2H 2024



- Scheduled cargo operations – Il-76TD-90VD
- The most popular routes for charter cargo operations (upon request) – Il-76TD-90VD, AN-124-100/150

** Rates are valid in August 2024 for general (non-dangerous) cargo without special handling conditions. Final cost might differ.*

VOLGA-DNEPR – MULTIMODAL OPERATIONS



- ▶ Project solution
- ▶ Preparation for carriage
- ▶ Various modes of transportation

- ▶ Multimodal services
- ▶ Terminal and warehouse handling
- ▶ First/last mile

VOLGA-DNEPR – INTERNATIONAL EXPRESS-DELIVERY

International D2D express-delivery of B2B cargo up to 300 kg within 4 working days*.

As per published schedule. The delivery timeframe does not include cargo acceptance day, weekends, and bank holidays



01

30+ years of experience in international logistics

Own fleet of freighters

02

Customs clearance competence — a license of customs agent

The rate covers 'door-to-door' delivery

Standard customs clearance и express customs clearance



03

International team — representatives in China

VOLGA-DNEPR - Logistics from Arctic to Antarctic DELIVERY TO HARD-TO-REACH REGIONS



CARGO DELIVERY

- ▶ Own fleet of Il-76TD-90VD freighters certified for flight operations to remote regions.



IL-76TD-90VD allows for safe and quick transportation of various types of cargo to prepared runways, as well as to snow and ice runways/sites. With a special permit, the Company can organize delivery to airports/sites with unsurfaced runways.

- ▶ Seamless and fast organization of long-haul and complex flights



- ▶ Qualified and certified specialists
- ▶ Extensive experience of operations to hard-to-reach regions (programs to Antarctic since 2015)

VOLGA-DNEPR - DELIVERY TO HARD-TO-REACH REGIONS



- ▶ Longstanding experience in cargo parachuting
- ▶ Certified and qualified specialist powered by competences enable Volga-Dnepr to deliver cargo in sufficient volumes to the regions without airports and prepared runways
- ▶ Cargo parachuting is a type of airdropping allowing for safe delivery of valuable cargo, food supplies in glass packaging, expensive equipment, heavy construction equipment, and drummed fuel.



CARGO PARADROPPING



The minimum size of the site for cargo landing on the ground is **500 × 500 meters.**

VOLGA-DNEPR - CUSTOMS CLEARANCE OF CARGO



Volga-Dnepr offers a wide range of customs services for its customers:

- ▶ **Appealing decisions on customs value adjustments**
- ▶ **Customs declaration of goods and vehicles: all customs procedures**
- ▶ **Customs analytics: calculation of customs payments, verification of accompanying documentation, determination of non-tariff measures**
- ▶ **Customs clearance of goods from the Asian region**
- ▶ **Customs declaration for airlines: aviation technical equipment, aircraft; preparation of reports on customs procedures; preparation of documents for obtaining the Ministry of Industry and Trade's conclusion on the purpose of goods**
- ▶ **Classification decision by the Federal Customs Service of Russia**
- ▶ **Foreign trade consulting**
- ▶ **In-house air delivery and fleet of vehicles for delivery throughout Russia and the EAEU**



Certified customs broker (*Certificate in the registry of customs brokers, No.1490 dd 01.06.2022*)

Rates for customs services - <https://www.volga-dnepr.com/upload/price-010622.pdf>

VOLGA-DNEPR – SEAFOOD LOGISTICS



advantages

- ▶ **Full range of logistics services:** first mile, packaging solutions, documentation, transportation, acceptance and last mile
- ▶ Flexible approach to services - **from the range of services to a certain logistics leg**
- ▶ **Own fleet of freighters** and access to the capacities of other carriers
- ▶ Scheduled **flights to/from China** and charter flights on request, incl. from the Far East to Moscow
- ▶ **Own fleet of refrigerated semi-trailers**
- ▶ Availability of **special equipment** – thermal boxes, passive packaging, dry ice, warehousing; temperature control and strict timeframes for delivery of special cargo
- ▶ **Control at each stage** of transportation
- ▶ **Aligned system of stakeholders** in accordance with the internal risk assessment system for suppliers
- ▶ **Consulting services and customized solutions**, compliance with international standards IATA PCR and IATA LAR
- ▶ **Experienced specialists.**



VOLGA-DNEPR - FLEET



An-124-100 is the world's largest, mass produced, civil cargo aircraft and is a recognized leader of the air cargo industry for its ability to transport oversized and super-heavy shipments.

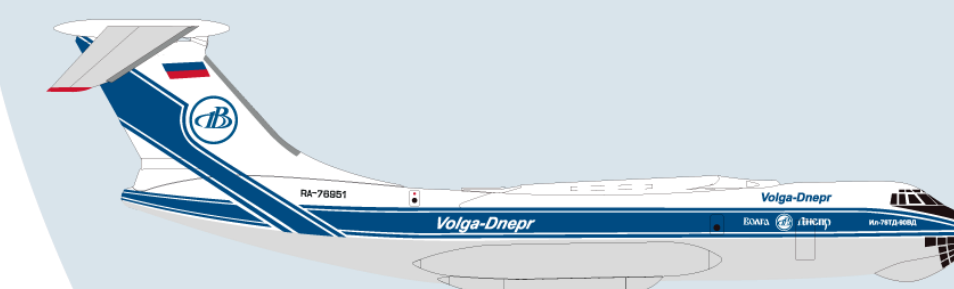
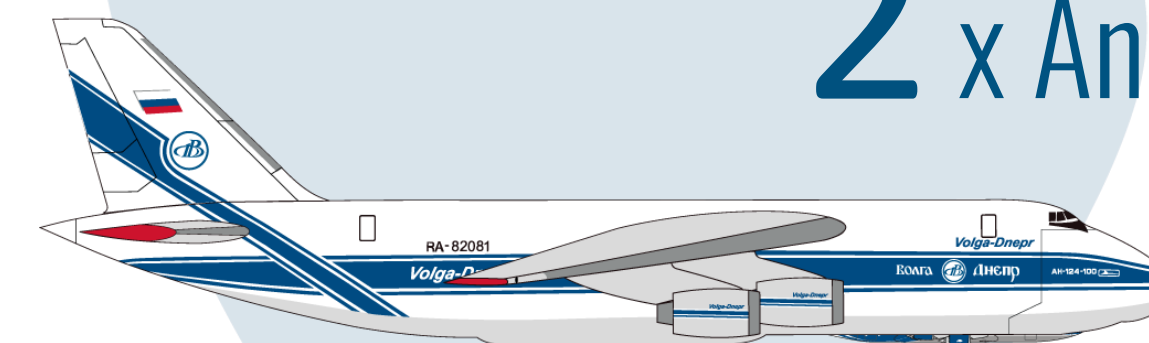
The combination of exceptional characteristics such as its cargo compartment size, flight range and uplift capability (without the need for special loading equipment) allows the An-124 to carry super-heavy and oversized cargoes including equipment up to **120 tonnes (An-124-100)** and up to **150 tonnes (An-124-150)**.

Volga-Dnepr participated in the **cross-section modernization of the IL-76TD**, one of Volga-Dnepr's most successful cargo aircraft thanks to its cabin size, carrying capacity and autonomous loading capabilities.

The resulting product is the **IL-76TD-90VD**, equipped with new **PC-90A-76** engines and modern avionics, approved for worldwide operations.

9 x An-124-100

2 x An-124-150



5 x IL-76TD-90VD

VOLGA-DNEPR - FLEET: An-124-100 | An-124-150



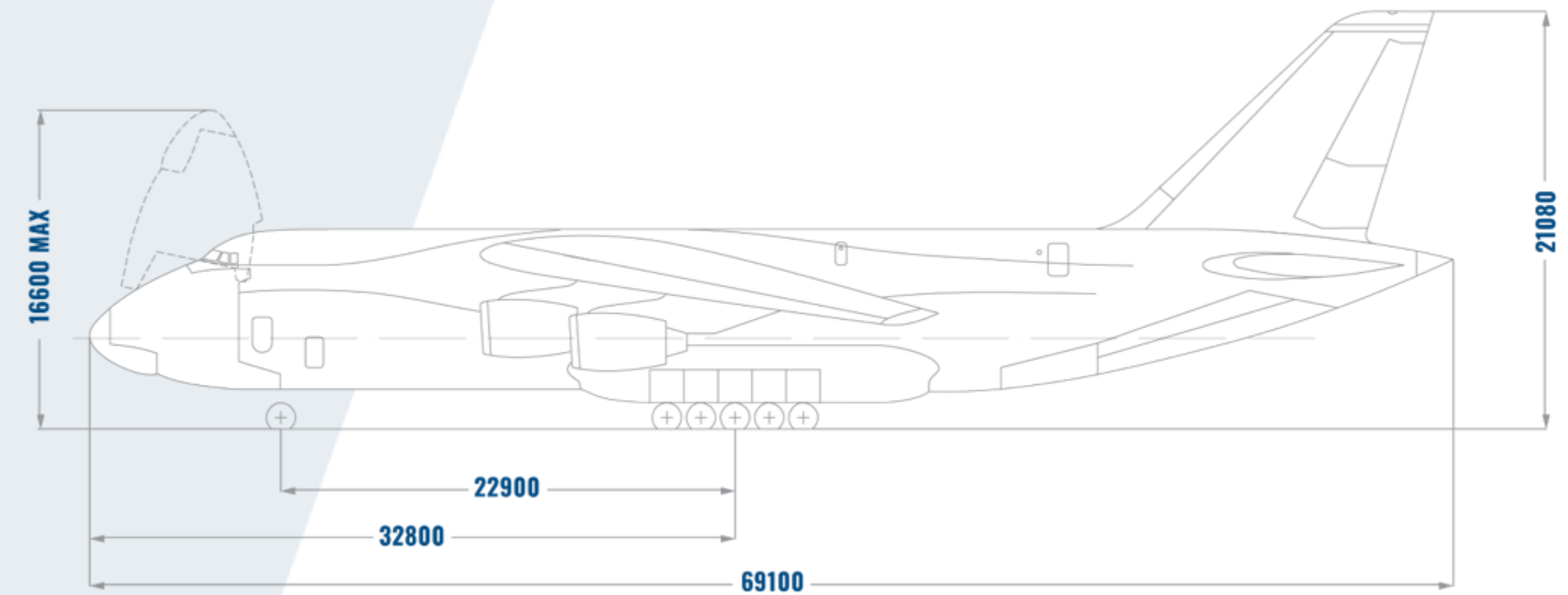
MAX CAPACITY, INCL EQUIPMENT

AN-124-100

120,000 KG

AN-124-150

150,000 KG



LOADING EQUIPMENT

- ▶ Pallets & crates loaded by forklift
- ▶ Use of the internal crane system
- ▶ Vehicles driven or winched into the aircraft
- ▶ Vehicles loaded on the Car Rack System
- ▶ Heavy or outsized items winched into the aircraft using the tracking system
- ▶ Floor roller system for transportation of general cargo aboard An-124-100/150

| | | | |
|--|----------------------|--|----------------------|
| ENGINE TYPE | 4x Lotarev D-18 T | MAXIMUM ZERO FUEL WEIGHT | 306,000 / 335,000 kg |
| ENGINE TAKE-OFF THRUST | 4x 24 T Σ = 96 T | CRUISING SPEED | 750 km/h |
| MAXIMUM TAKE-OFF WEIGHT | 392,000 / 402,000 kg | CRUISING ALTITUDE | 31,000 – 35,000 ft |
| OPERATING EMPTY WEIGHT | 192,215 / 192,559 kg | RANGE | 4,500 km |
| MAXIMUM PAYLOAD INCL. EQUIPMENT WEIGHT | 120,000 / 150,000 kg | MAXIMUM SINGLE LIFT WITH INTERNAL CRANES | 20,000 kg |
| MAXIMUM LOADING WEIGHT | 330,000 / 360,000 kg | ENGINEERING CREW | 7 crew members |
| | | FLIGHT CREW | 6 crew members |

VOLGA-DNEPR – FLEET: IL-76TD-90VD



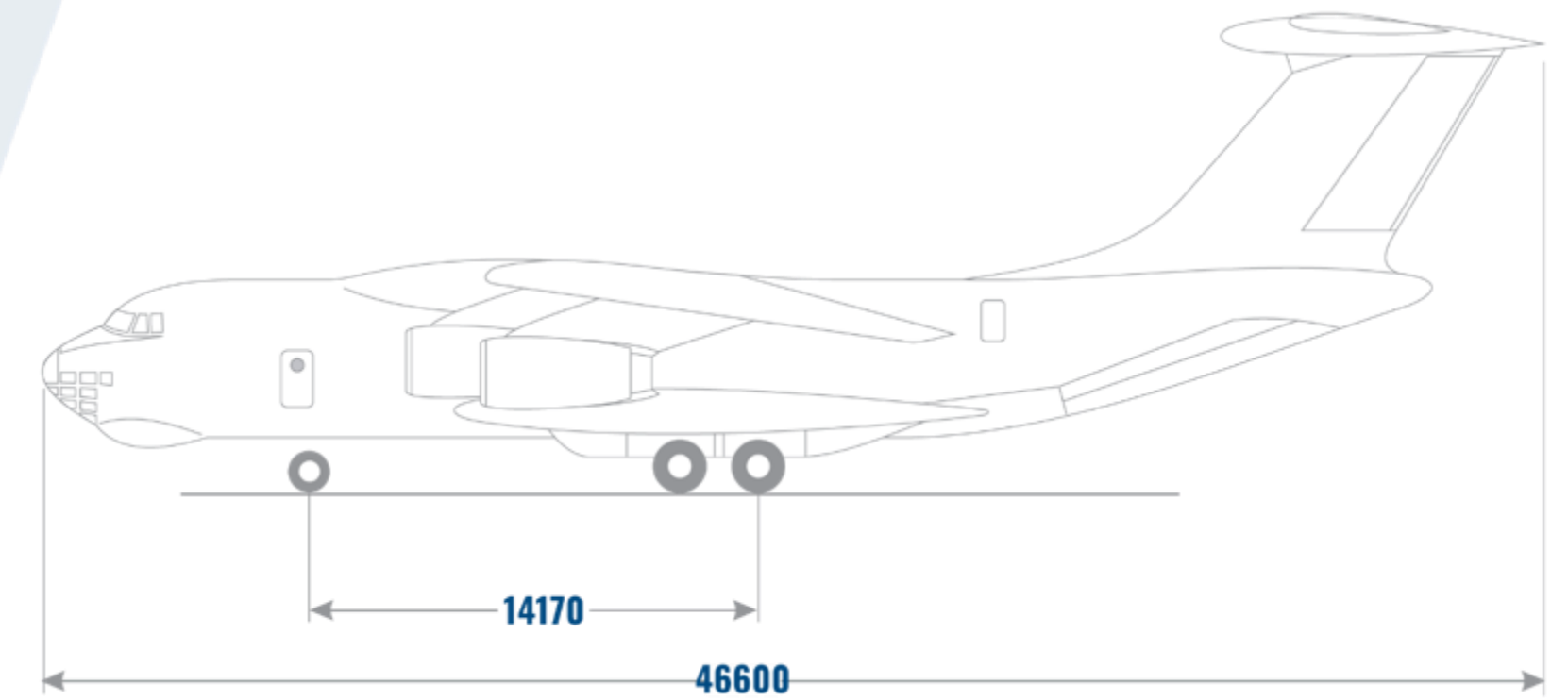
MAX CAPACITY, INCL
EQUIPMENT

50,000 KG

MAX TAKE-OFF WEIGHT

195,000 KG

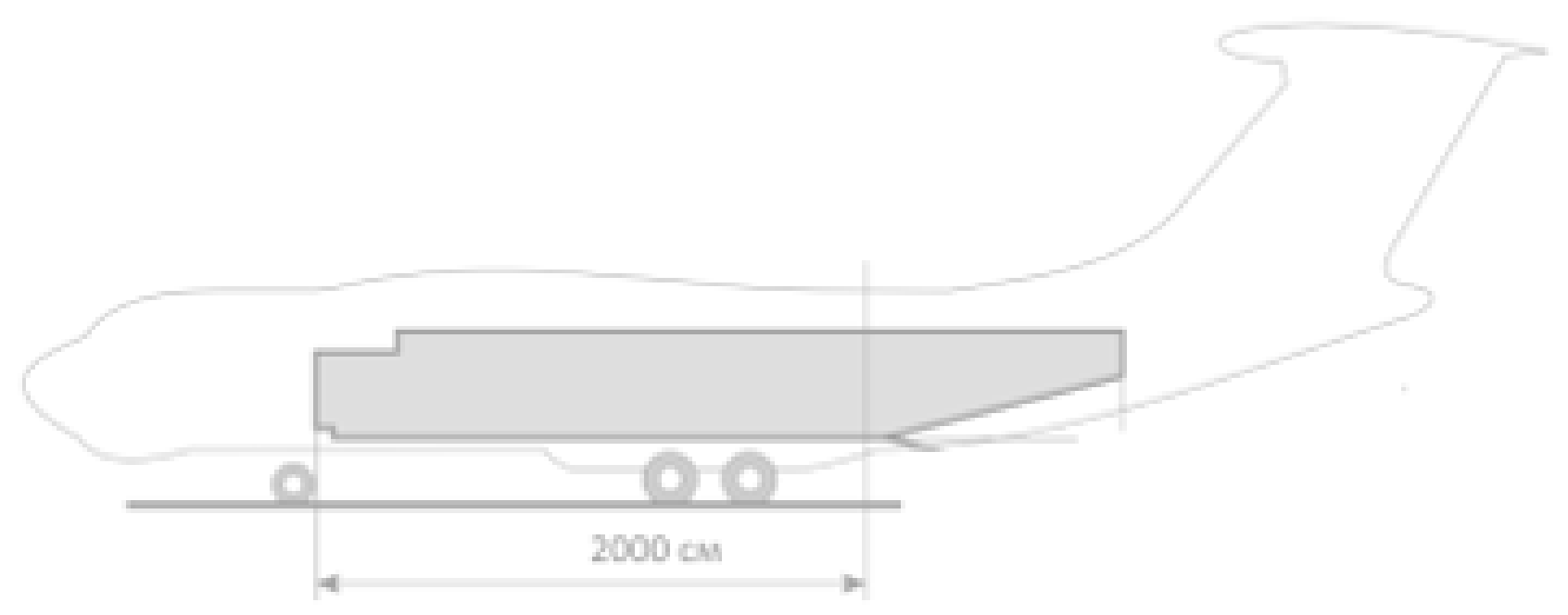
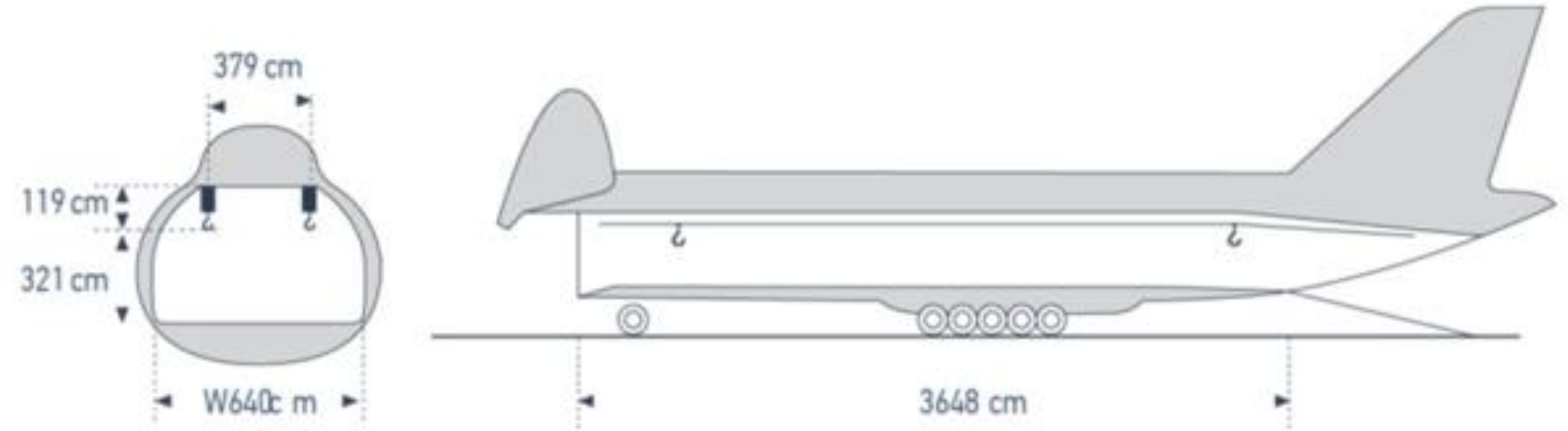
- ▶ Internal Crane System – The onboard system of overhead cranes consists of 4 electric hoists with 3-tonne lifting capacity each, they are capable of lifting single items of up to 12,000 kgs
- ▶ The freighter is equipped with 2 onboard electric winches of 3-tonne hauling capacity each
- ▶ Loading of wheeled vehicles, trailers and tracked vehicles
- ▶ Ramp enables wheeled vehicles to be loaded using their own power
- ▶ Extension ramp can be applied for the loading of long and high vehicles
- ▶ Loading of heavy and outsize cargo
- ▶ Use of special Volga-Dnepr Airlines' loading equipment for loading of heavy and outsize cargo subject to usage of mobile crane(s) and additional trailers
- ▶ Floor roller system for transportation of general cargo – up till 8 PMC per flight



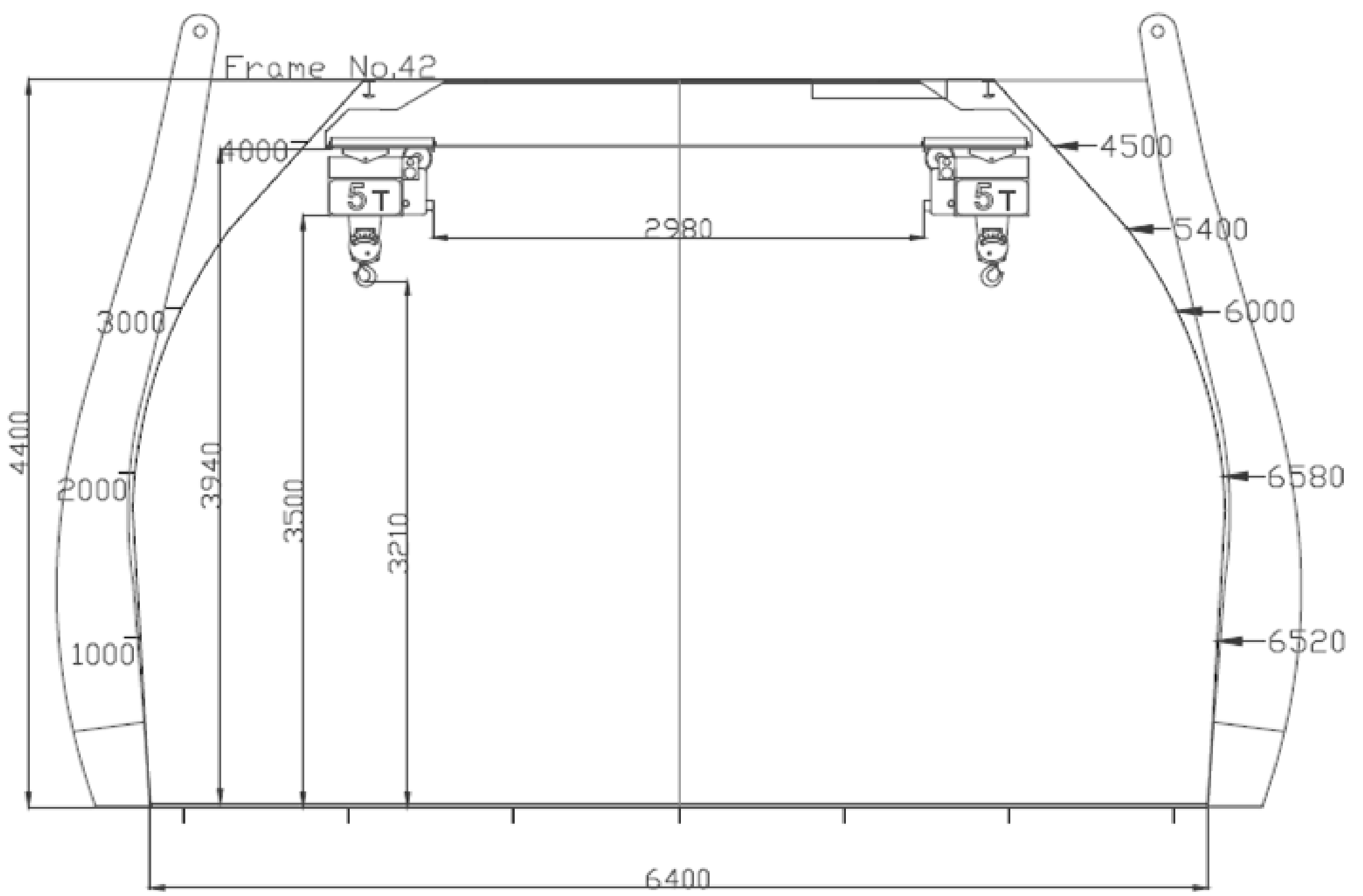
| | | | |
|--|-------------------------|------------------------------------|--------------------|
| ENGINE TYPE | 4x PS-90A-76 | MAXIMUM ZERO FUEL WEIGHT | 144,800 kg |
| ENGINE TAKE-OFF THRUST | 4x 16,000 kg Σ = 64,000 | CRUISING SPEED | 750 km/h |
| MAXIMUM TAKE-OFF WEIGHT | 195,000 kg | FLIGHT LEVEL (TYPICAL) | 9,100 m – 10,600 m |
| OPERATING EMPTY WEIGHT | 97,243 kg | RANGE | 4,500 km |
| MAXIMUM PAYLOAD INCL. EQUIPMENT WEIGHT | 50,000 kg | CAPABILITY OF ONBOARD CRANE SYSTEM | 12,000 kg |
| MAXIMUM LOADING WEIGHT | 155,000 kg | ENGINEERING CREW | 4 crew members |
| | | FLIGHT CREW | 4 crew members |



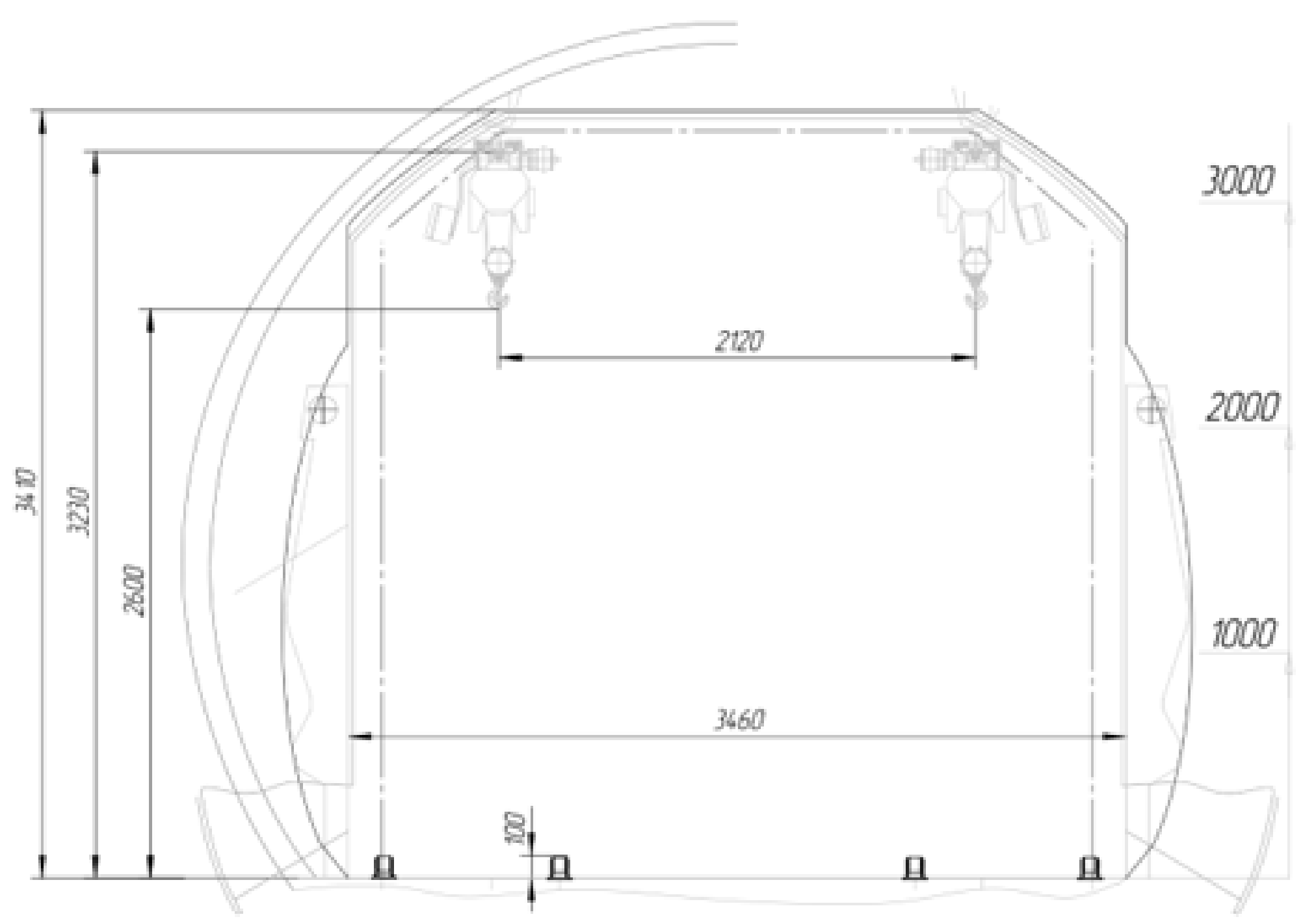
VOLGA-DNEPR – dimensions of cargo compartment



AN-124-100/150



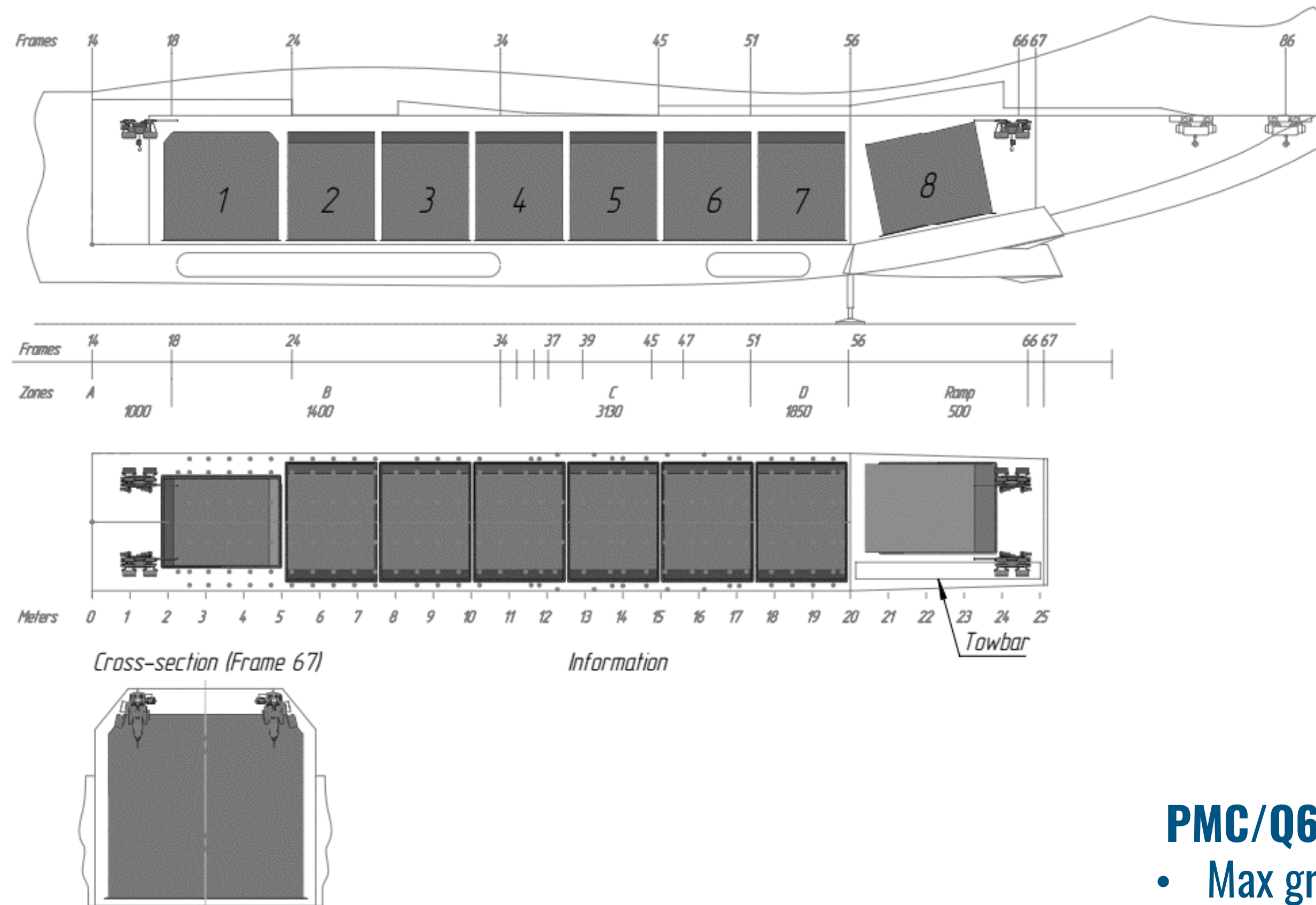
IL-76TD-90VD





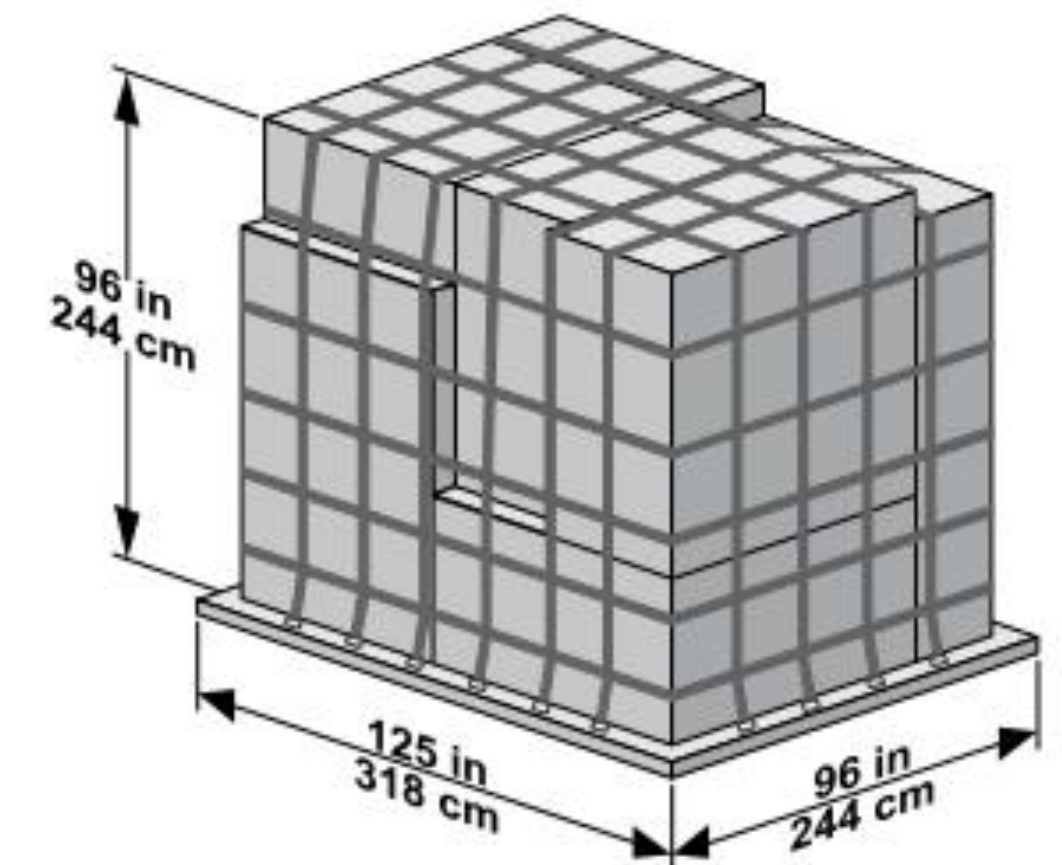
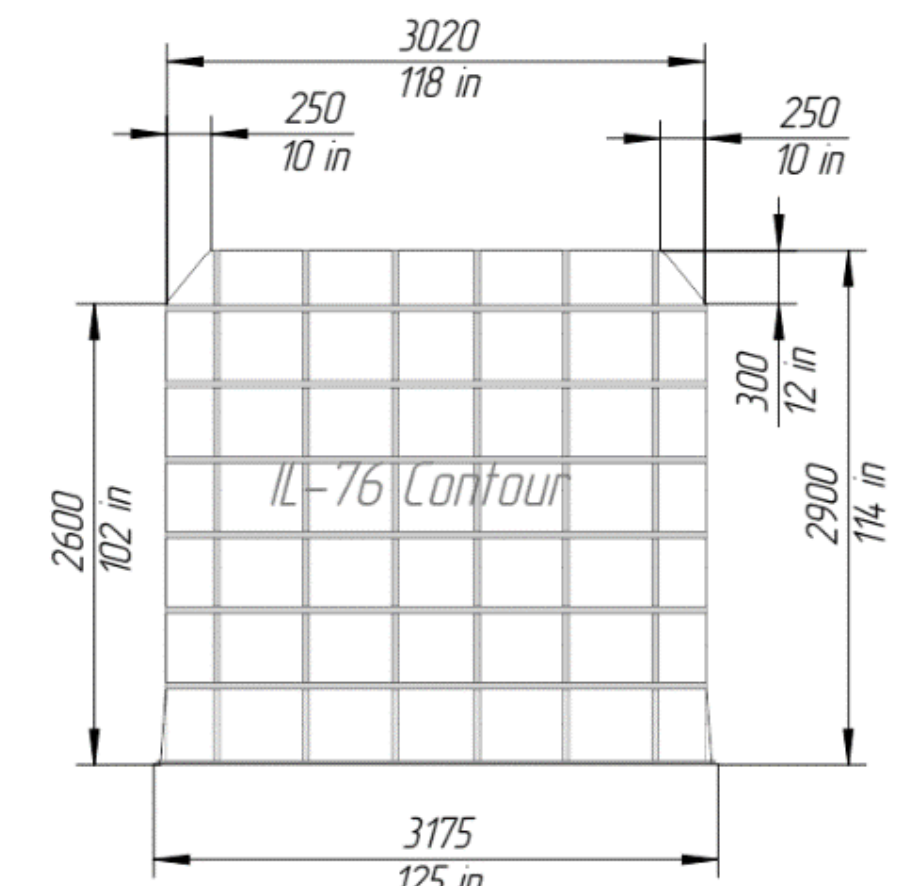
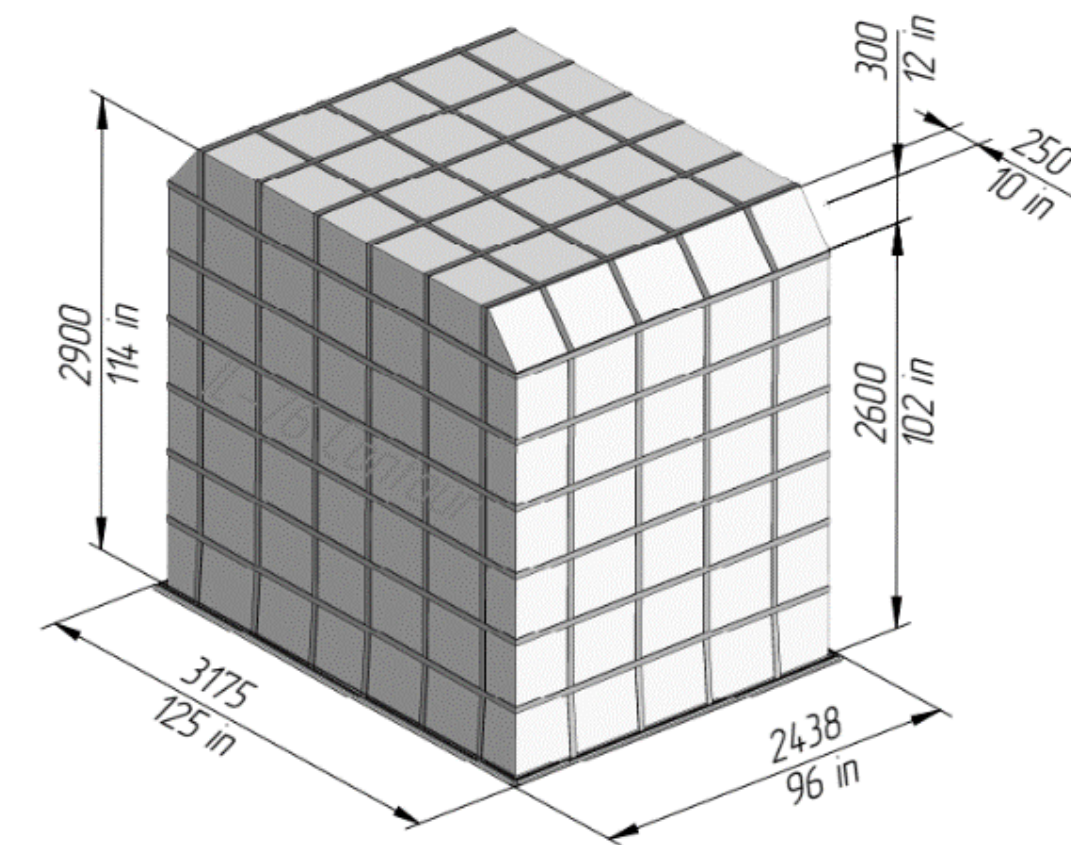
VOLGA-DNEPR – types and dimensions of ULDs

Typical load plan for 8 PMC aboard II-76TD-90VD



Special PMC contour for IL-76TD-90VD, positions 1-7

- max gross weight – 6,800 kg,
- max dimensions for 1 cargo position (L)302 x (W)228 x (H)260 cm up to 5, 000 kg
- Cargo exceeding above dimensions is subject to additional solution



PMC/Q6 contour for position No.8

- Max gross weight – 4, 350 kg

VOLGA-DNEPR – FLEET OF STRATEGIC PARTNER, VOLGA-TRUCKS

Volga  Dnepr

TRUCK TRACTORS


VOLVO FH

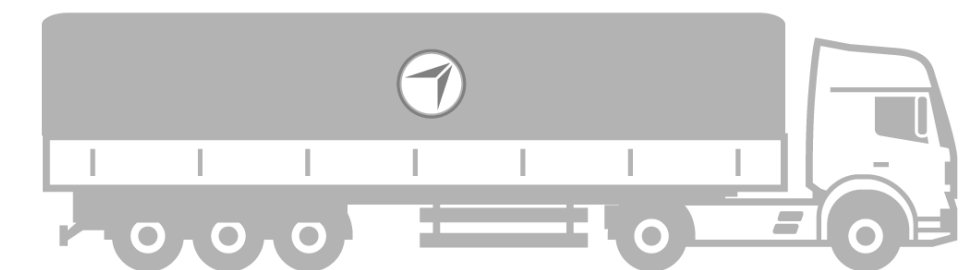
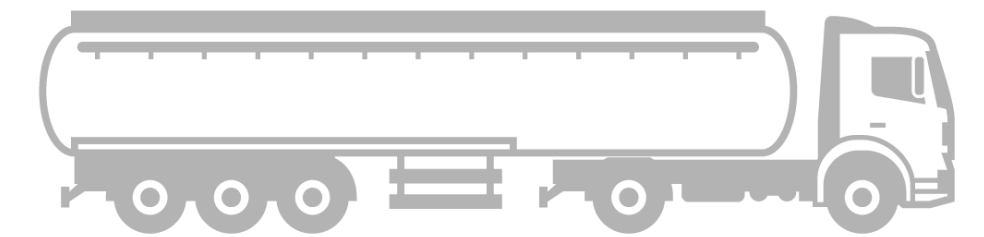
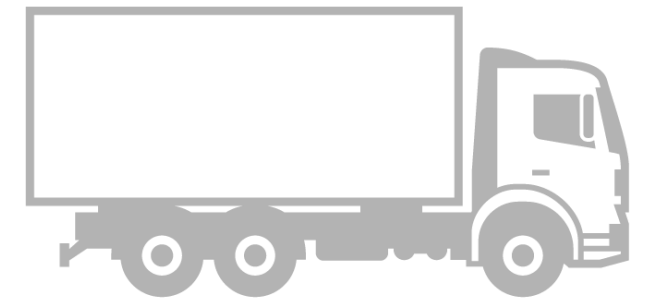
MERCEDES ACTROS

SEMI-TRAILERS

KRONE SD

SCHMITZ SKO

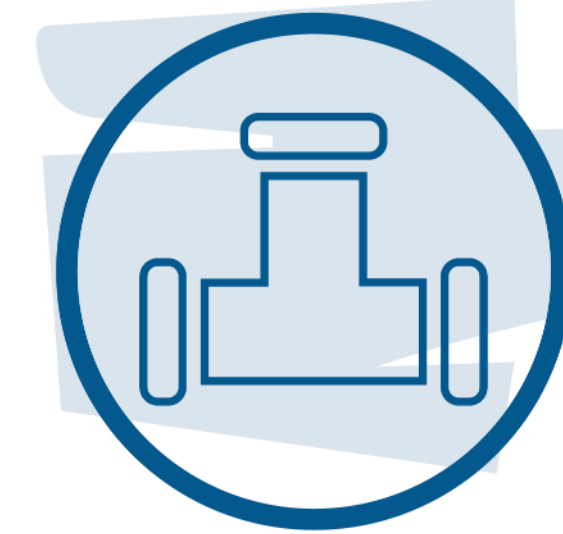
- 
- ▶ **Transportation of temperature-sensitive cargo**
load space | capacity: < 20 tonnes | < 90m³ | < 33 europallets -20 - +20°C
 - ▶ **Refrigerated road transportation service**
load space | capacity: < 20 tonnes | < 90m³ | < 33 europallets
 - ▶ **Transportation of cargo with special loading requirements**
load space | capacity: < 96m³ | < 22 tonnes
 - ▶ **Dangerous goods transportation**
load space | capacity: 1.5 - 20 tonnes | 20 - 90 m³
 - ▶ **Outsized cargo transportation**
superheavy, out-of-gauge and long items of cargo
 - ▶ **Liquid cargo transportation (tanks with thermal protection)**
capacity: < 20 tonnes



VOLGA-DNEPR – SOLUTIONS FOR OIL & GAS



- ▶ Factory visits for cargo inspections
- ▶ Competence in outsized and superheavy cargo transportations, design and manufacture of special loading equipment
- ▶ Load planning with the usage of 3D simulation software
- ▶ Experience in transporting various types of Oil & Gas equipment



Oil & Gas



UPSTREAM

Drilling equipment, Pumps, Powerhouses, Blowout preventers, “Christmas trees”

MIDSTREAM

Tube bundles, Pipeline valves, Vents, Pipe layers

DOWNSTREAM

Compressors, Heat exchangers, Stabilizers, Control units

VOLGA-DNEPR – SOLUTIONS FOR AEROSPACE



Aerospace

HELICOPTERS

SATELLITES

PLANES

ENGINES

- ▶ Factory visits for cargo inspections
- ▶ Load planning with the usage of 3D simulation software
- ▶ Special Operating Procedures for the transportation of aircraft engines
- ▶ Extensive data base with aircraft engines, characteristics and OEM guidelines for transportation

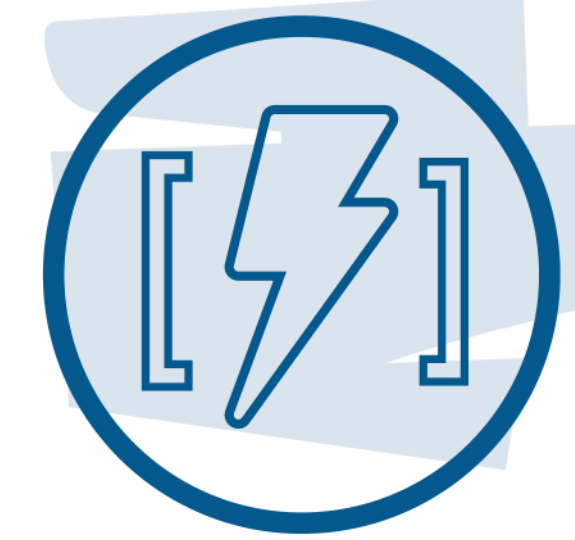


VOLGA-DNEPR – SOLUTIONS FOR ENERGY INDUSTRY

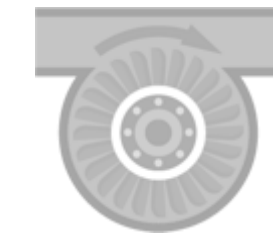
Volga  Dnepr



- ▶ Factory visits for cargo inspections
- ▶ Competence in outsized and superheavy cargo transportations, design and manufacture of special loading equipment
- ▶ Load planning with the usage of 3D simulation software
- ▶ Experience in transporting various types of Energy equipment

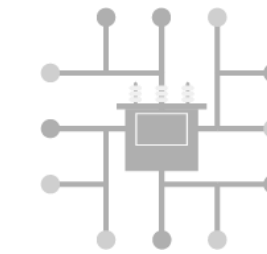


Energy



Power generation

- Generator rotors
- Heavy-duty gas turbine (HDGT) rotors
- Industrial gas turbines (IGT)
- Aero-derivative gas turbines (AGT)
- Diesel generator sets
- Mobile gas turbine packages
- Hydro turbine runners
- Wind turbine components
- Equipment and supplies for nuclear power plants



Power transmission

- Transformers
- Power cables
- Electric components
- Mobile substations



Other components

- Valves
- Heat exchangers
- Pumps
- Spare parts

VOLGA-DNEPR – SOLUTIONS FOR AUTO INDUSTRY



- ▶ Both palletized and RO/RO (roll on, roll off) solutions
- ▶ Transportation of BEV, HEV, PHEV, dangerous goods permit (Class 1-9)
- ▶ Transportation of trucks



Auto



VOLGA-DNEPR - GUIDELINES FOR DUAL USE & MILITARY RELATED GOODS



- ▶ Volga-Dnepr Group follows a peace-keeping concept and does not accept military goods for export, transit and import
- ▶ Goods excluded from transport are goods specially designed or modified for military use, including arms, ammunitions, bombs, tanks, imaging devices, military aircraft, warships and chemicals (the list of such items can be varied depend on the country legislation), as well as goods from/to shippers and consignees, which are related to military organizations (such as Ministry of Defense, Air Forces, Navy etc.).

To mitigate any possible risk at all stages of transportation, customers are required to provide the exact details of the following information at the time of booking, in particular for any possible dual use and/or military related goods:



COMMODITY



SHIPPER - CONSIGNEE

A specified description of goods is required. General terms are not sufficient, i.e. the term “spare parts” is not acceptable as a description. Customers should use “Guidelines on acceptable and unacceptable terms for the description of goods for exit and entry summary declarations”, the EUROPEAN COMMISSION, Brussels, 21.09.2007, TAXUD/1402/2007 as a reference.

Together we strive for the world to be a safer place to live in!



Contact us:

Charter cargo operations
sales@volga-dnepr.com

Scheduled cargo operations and express-delivery
mt.sales@vd.express

www.volga-dnepr.com

